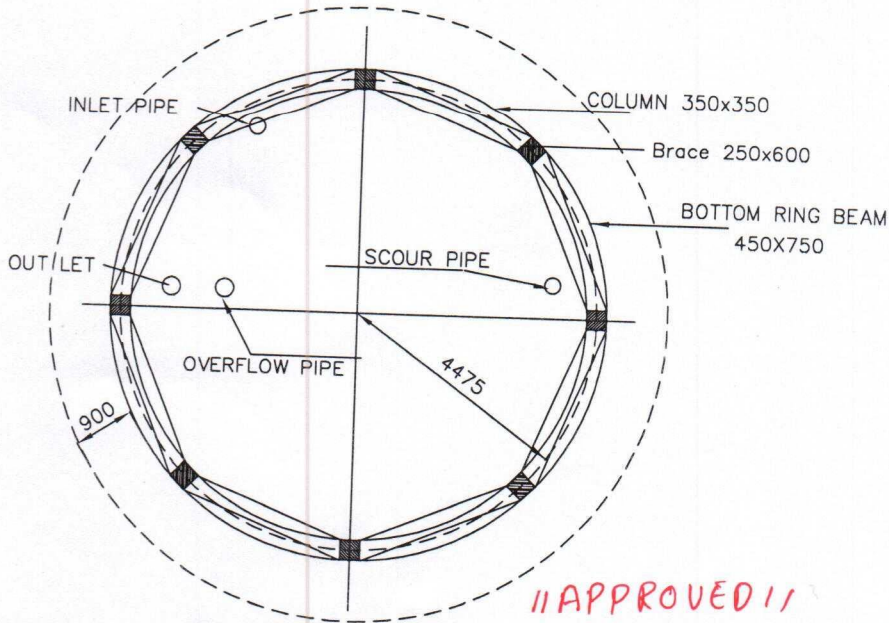


SECTIONAL ELEVATION



11 APPROVED 11

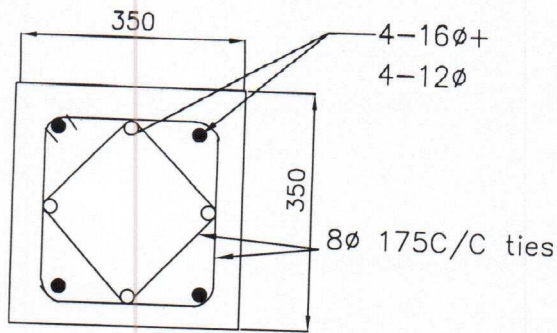
PLAN

G. Reddy
19/11/17
CE-I CE-II CE-III
TDWSP, Hyderabad
M. May 19/11/17
M. A. S. 19/11/17
M. 19/11/17

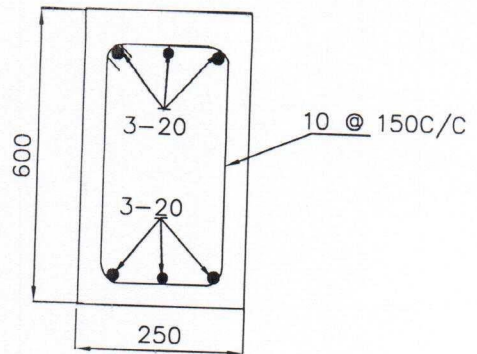
NOTES

1. Grade of Concrete : M30
2. Grade of Steel : Fe500
3. Clear minimum cover
 - a) Water face:
 - Side walls : 45MM
 - Top & Bottom slabs : 45MM
 - Beams : 45MM
 - b) Away from Water face:
 - Side walls : 30MM
 - Top & Bottom slabs : 30MM
 - Beams : 30MM
 - c) Columns : 40MM
 - d) Footings : 50MM
4. All dimension are in 'mm' unless specified.
5. The steel should not be overlapped at the junction points
6. Not more than 1/2 of the bars should be curtailed at a given section
7. Suitable PVC pipe casing has to be Provided in the staircase column up to the top, for installation of lightening Arrester.
8. Seismic Zone : II
9. Wind speed : 44 m/s (Wind pressure: 1.6 kN/m²)
10. free board: 0.20m
11. Dead storage : 0.15m
12. Total staging is 12m and has to be adjusted in last staging
13. Depth upto Raft Beam top: 2.0m
14. For detailing of reinforcement ISSP-34 shall be followed.

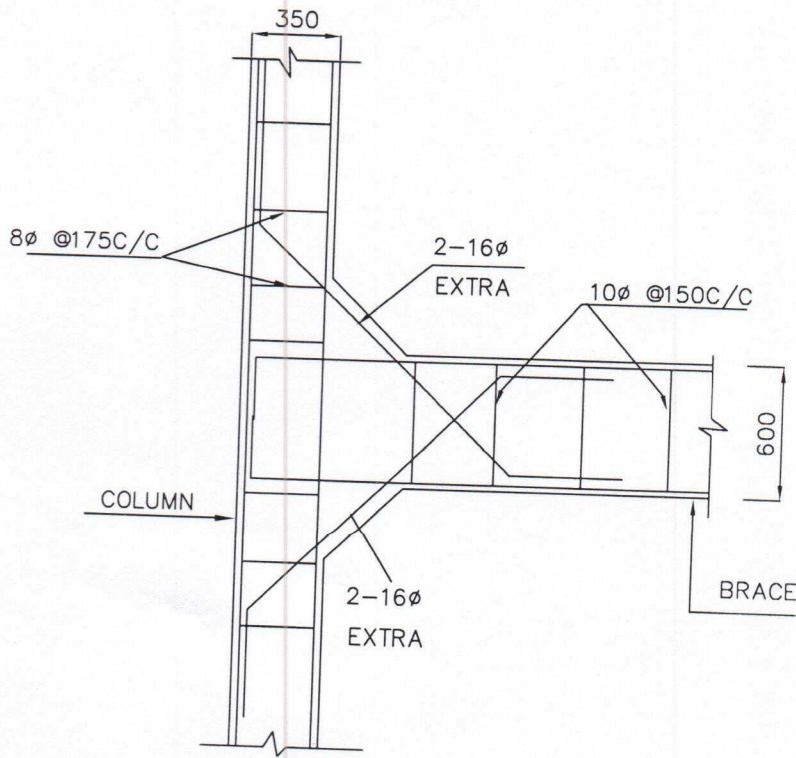
Government of Telangana	
Rural Water Supply & Sanitation Department	
Construction of 200 KL capacity OHSR/OHBR 12m staging column type	
Scale: Not to scale	sheet: 1 of 8
REV: 00	



SECTION OF COLUMN



SECTION OF BRACE



COLUMN BRACE JUNCTION

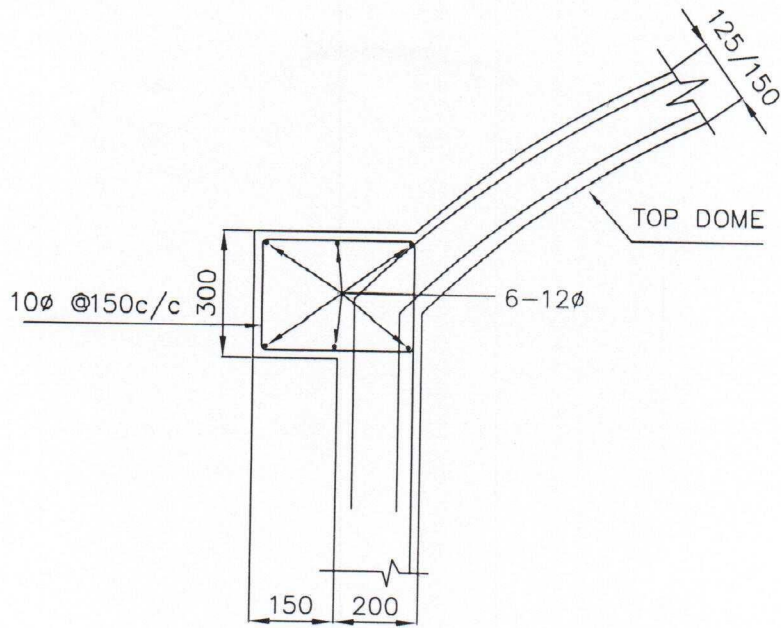
11 APPROVED 11

CE-1 *G. Ineed 1911* CE-II *Phy 1917*

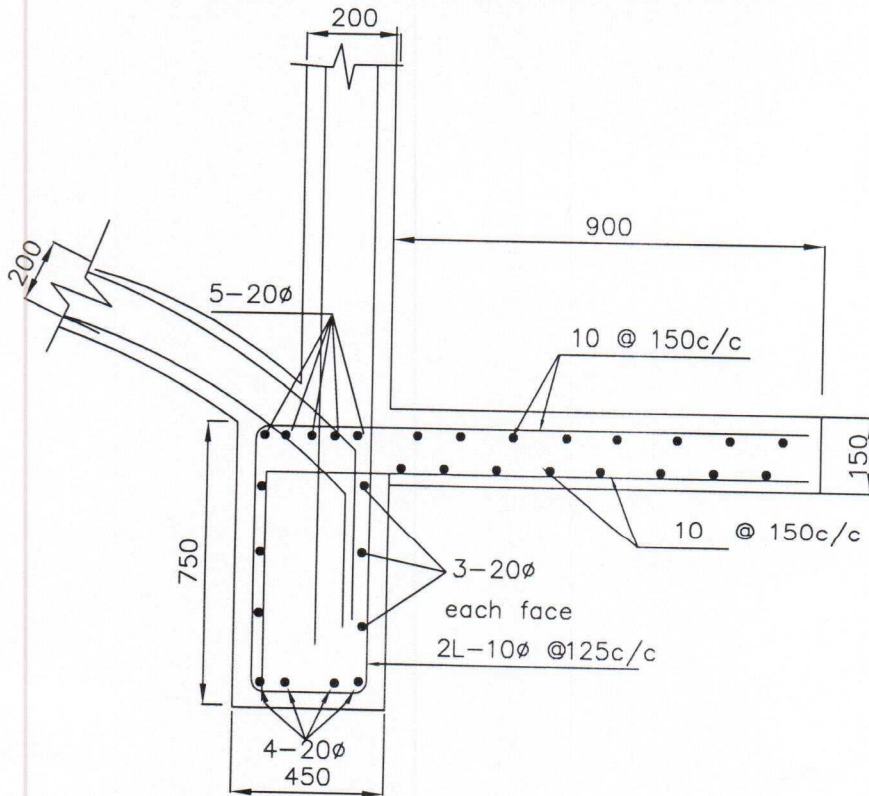
TD WSP, Hyderabad

1915 *1916* *1917* *1918* *1919*

Government of Telangana		
Rural Water Supply & Sanitation Department		
Construction of 200 KL capacity OHSR/OHBR 12m staging column type		
Scale: Not to scale	sheet: 2 of 8	REV : 00



DETAILS OF TOP DOME RING BEAM



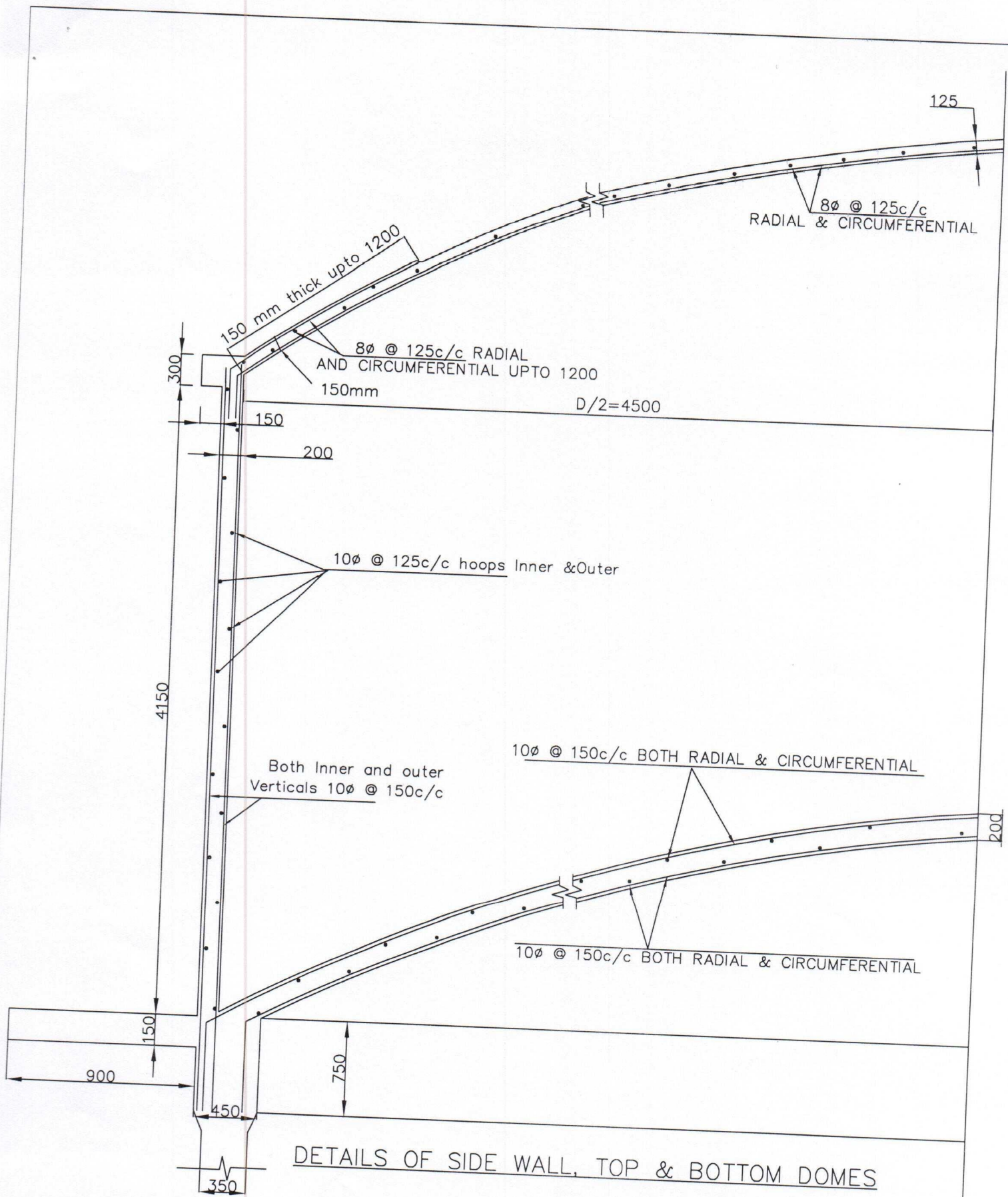
BOTTOM RING BEAM CUM LANDING

|| APPROVED ||

CE-I, CE-II, CE-III
 TDW SP, Hyderabad

19/5
 19/6
 19/10
 19/15/17
 M
 19/6/18
 EE

Government of Telangana		
Rural Water Supply & Sanitation Department		
Construction of 200 KL capacity OHSR/OHBR 12m staging column type		
Scale: Not to scale	sheet: 3 of 8	REV: 00



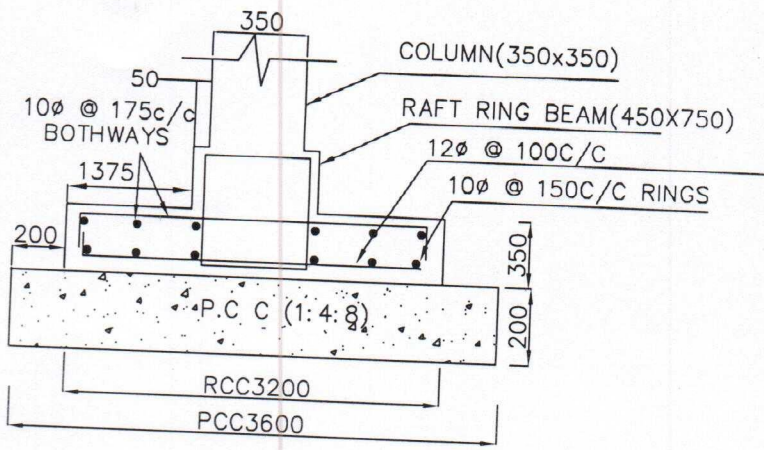
11 APPROVED 11

CE-1 CE-II CE-III

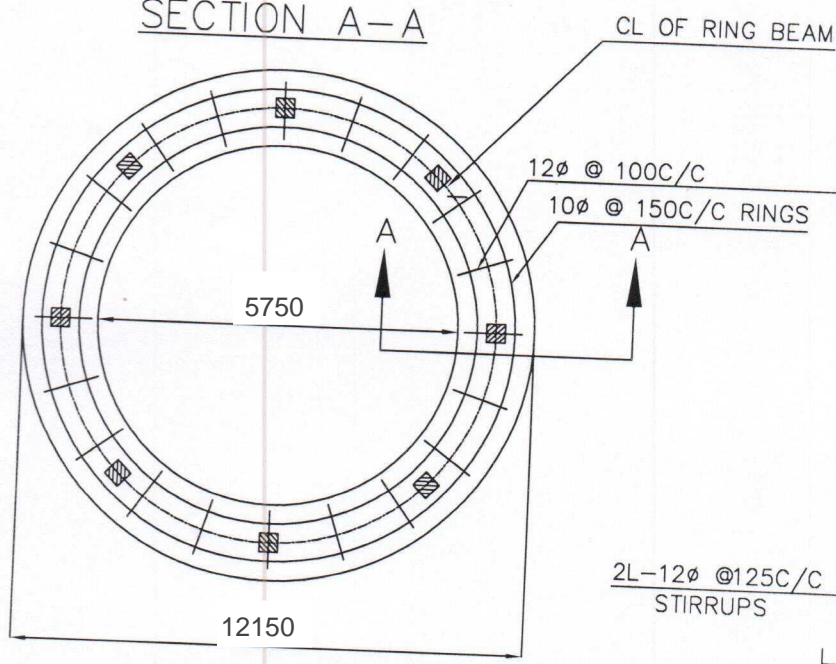
TDWSP, Hyderabad

19/5 19/5 19/5 19/5 19/5

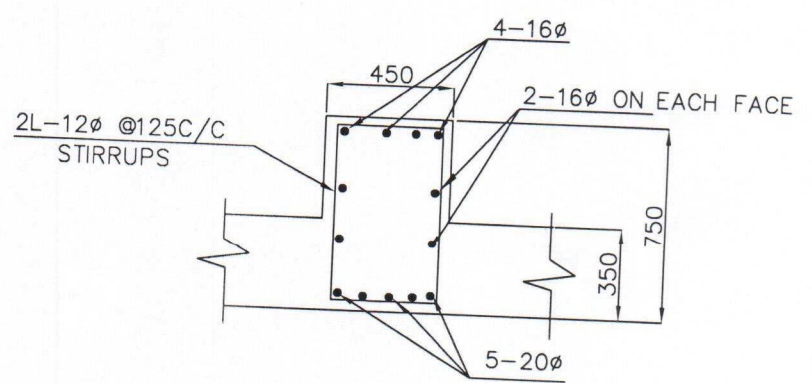
Government of Telangana		
Rural Water Supply & Sanitation Department		
Construction of 200 KL capacity OHSR/OHBR 12m staging column type		
Scale: Not to scale	sheet: 4 of 8	REV: 00



SECTION A-A



BOTTOM REINFORCEMENT OF RING FOUNDATION
SBC 7.5t/m²

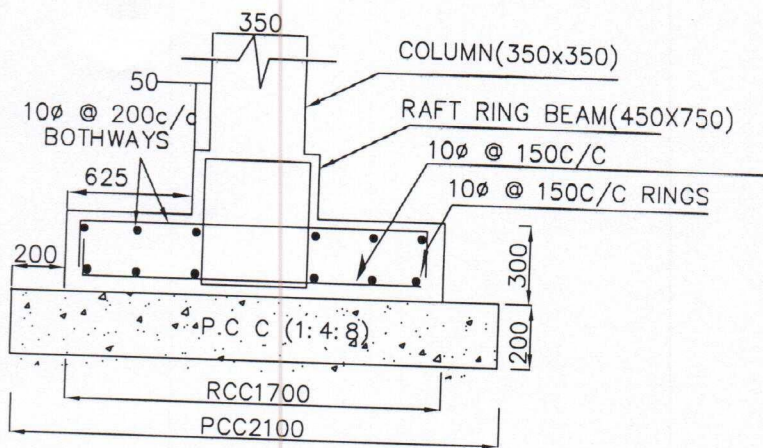


SECTION OF RAFT RING BEAM

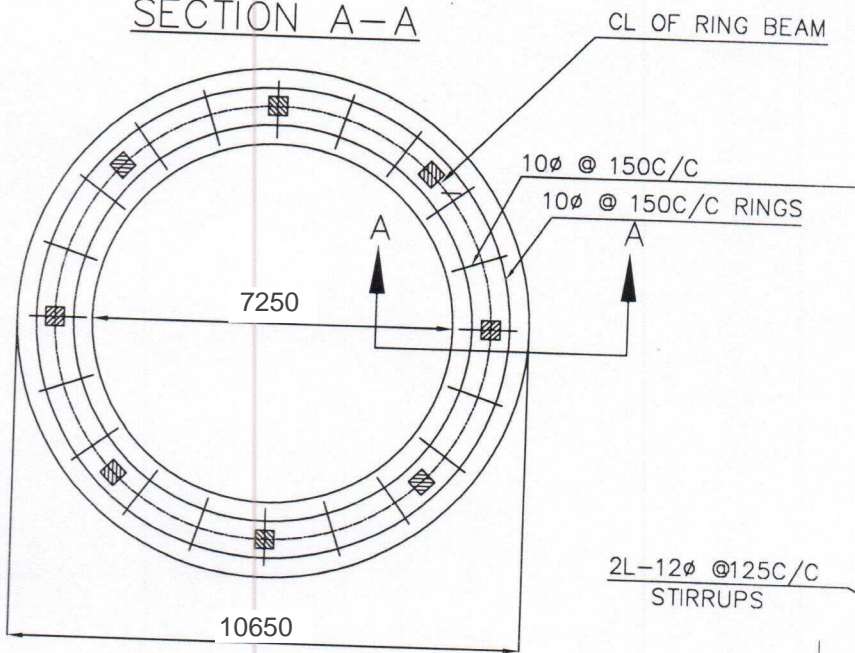
11 APPROVED 11

CE-I
 CE-II
 CE-III
 TDWSP, Hyderabad
 19/5/15
 19/5/15
 19/5/15
 19/5/15
 M
 19/5/15
 EE

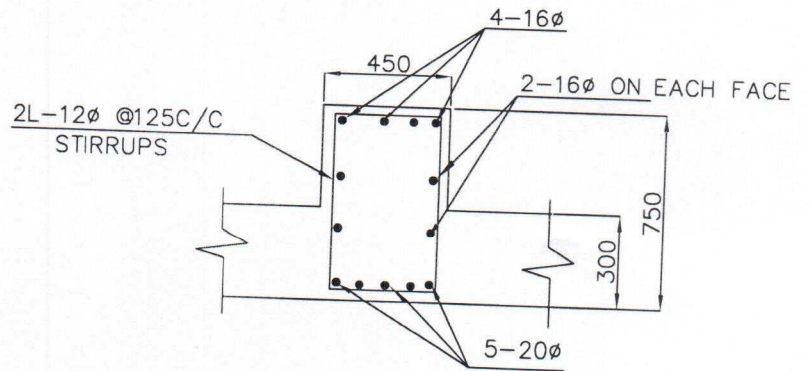
Government of Telangana	
Rural Water Supply & Sanitation Department	
Construction of 200 KL capacity OHSR/OHBR 12m staging column type	
Scale: Not to scale	sheet: 5 of 8
REV : 00	



SECTION A-A



BOTTOM REINFORCEMENT OF RING FOUNDATION
SBC 15t/m²

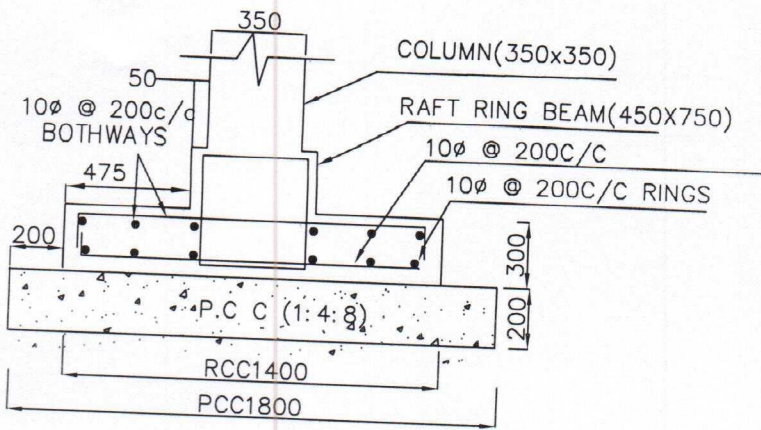


SECTION OF RAFT RING BEAM

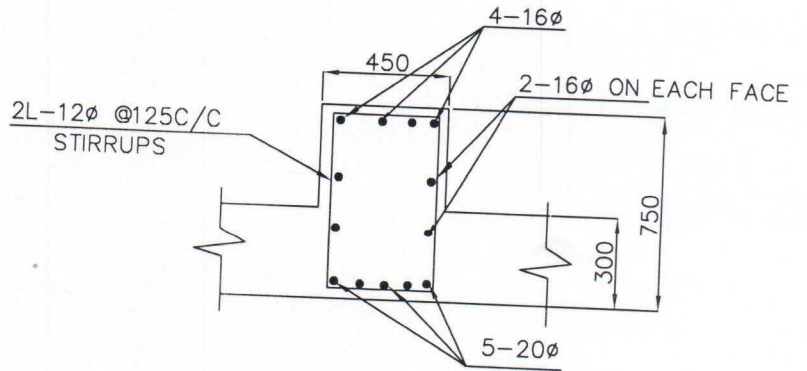
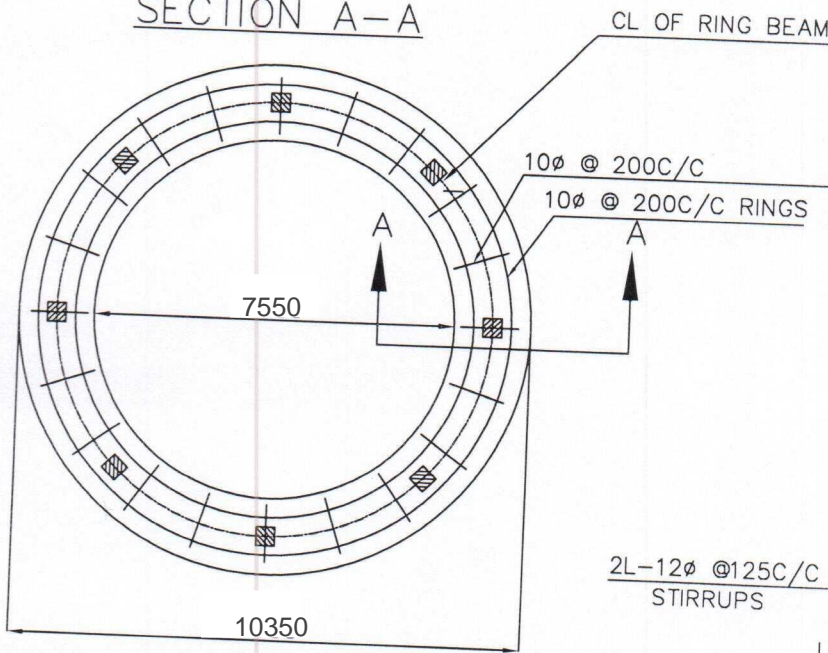
11 APPROVED 11

CE-1
 CE-II
 CE-III
 JDWSP, Hyderabad
 1915
 1915/17
 1915/17
 1915/17
 1915/17
 EE

Government of Telangana		
Rural Water Supply & Sanitation Department		
Construction of 200 KL capacity OHSR/OHBR 12m staging column type		
Scale: Not to scale	sheet: 6 of 8	REV : 00



SECTION A-A



SECTION OF RAFT RING BEAM

BOTTOM REINFORCEMENT OF
RING FOUNDATION
SBC 20t/m²

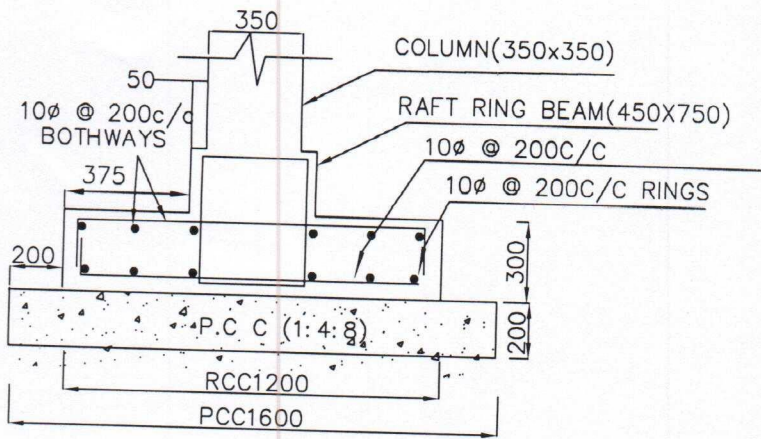
11 APPROVED 11

CE-I
CE-II
CE-III

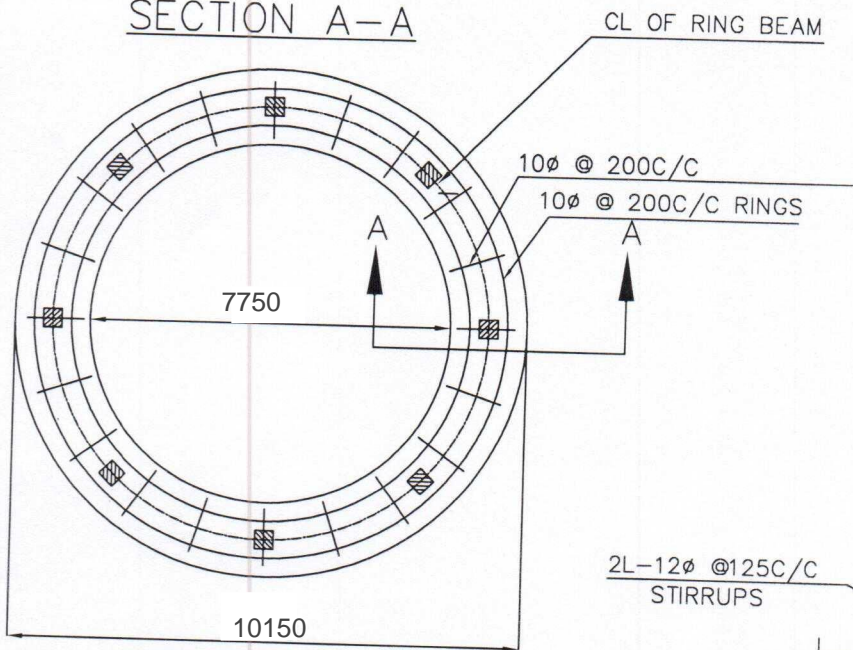
TD WSP, Hyderabad

19/5
19/5
19/5
19/5/17
19/5

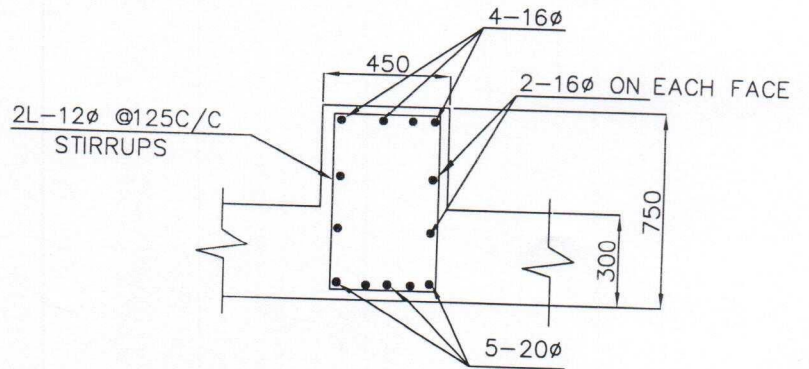
Government of Telangana		
Rural Water Supply & Sanitation Department		
Construction of 200 KL capacity OHSR/OHBR 12m staging column type		
Scale: Not to scale	sheet: 7 of 8	REV: 00



SECTION A-A



BOTTOM REINFORCEMENT OF RING FOUNDATION
SBC 30t/m²



SECTION OF RAFT RING BEAM

|| APPROVED ||

CE-I CE-II CE-III

JDWS P, Hyderabad

19/5/15 19/5/15 19/5/15 19/5/17 19/5/17
BE

Government of Telangana		
Rural Water Supply & Sanitation Department		
Construction of 200 KL capacity OHSR/OHBR 12m staging column type		
Scale: Not to scale	sheet: 8 of 8	REV : 00